

HEAT outdoors

HEAT AND BEAT 2KW PATIO HEATER WITH BLUETOOTH SPEAKERS AND REMOTE CONTROL

Safety Instructions and Operation Manual



Contents

Brief Introduction	2
Important Information	2
Safety Instructions	3-4
Operation Instructions	5-7
Installation Instructions	8
Product Diagram Cleaning and Maintenance	8 9
Customer service	9

Brief Introduction

Thank you for choosing our Shadow Heat and Beat Bluetooth Patio Heater. This instruction manual will provide you with valuable information necessary for the proper care and maintenance of your new product. Please take a few moments to thoroughly read the instructions and familiarise yourself with all the operational aspects of your new heater.

Important Information

WARNING

DO NOT use this heater in any room when they are occupied by persons not capable of leaving the room on their own, unless constant supervision is provided.

CAUTION

Some parts of this product can become very hot and cause burns. Particular attention has to be given where children and vulnerable people are present.

Please carefully read all instructions provided before using this appliance. This heater must be installed in accordance with the instructions and local regulations.

This operation manual contains important information on your safety, as well as some recommendations on the correct use, installation and maintenance of the appliance.

When operating this infrared heater be sure to observe necessary precautions as improper operation with disregard of these precautions may result in harm to health of the user, other people or objects.

When **using** electrical **appliances**, basic **safety precautions** should **always** be followed to reduce the risk of fire, electric shock, or **injury** to persons.

Safety Instructions

Read these instructions before using

WARNING

Potential fire risk if the heater is covered by an material or positioned close to curtains or other flammable materials.

When using this electric unit, basic safety precautions should be followed to reduce the risk of fire, electric shock, and injury to persons, including the following:

- Mount the heater outside or in a large open area and well away from any obstructions such as branches or where the heater is near any objects that can be affected by heat, such as furniture, curtains or other inflammable objects (minimum distance 1 meter).
- **DO NOT** position immediately above or below and electrical socket.
- The unit must be placed with a minimum clearance of 180cm to the floor and 50cm to the ceiling.
- If the power supply cord is damaged, it must be replaced by an authorised agent or other qualified electrician to avoid danger.
- This' appliance is not intended for use by persons (including children) with reduced physical, sensory or mental capabilities, or lack of experience and knowledge, unless they have been given supervision or instruction concerning use of the appliance by a person responsible for their safety.
- Children should be supervised at all times to ensure that they do not misuse or play with the appliance.
- **CAUTION:** Risk of Electric Shock. **DO NOT** open or try to repair the heater yourself.
- This heater may get hot when in use. To avoid burns, **DO NOT** let bare skin touch hot surfaces. If provided, use handles when moving this heater.
- Keep combustible materials, such as furniture, pillows, bedding, paper, clothes, and curtains at least 1.5m from the front of the heater is left operating and unattended.
- **DO NOT** operate any heater with a damaged cord or after the heater malfunctions, has been dropped or damaged in any manner. Return heater to authorised service facility for examination, electrical or mechanical adjustment, or repair.
- This heater is not intended for use in bathrooms, laundry areas and similar indoor locations. **NEVER** locate heater where it may fall into a bathtub or other water container. To protect against electrical hazards, **DO NOT** immerse in water or other liquids.
- **DO NOT** touch the control panel or plug with a wet hand.
- **DO NOT** run cord under carpeting.
- **DO NOT** cover cord with throw rugs, runners or similar coverings. Arrange cord away from high traffic areas and where it may be a trip hazard.

- **DO NOT** insert or allow foreign objects to enter any ventilation or exhaust opening as this may cause an electric shock or fire, or damage the heater.
- To prevent a possible fire, **DO NOT** block the air intakes or exhaust in any manner.
- **DO NOT** use on soft surfaces, like a bed, where openings may become blocked.
- A heater has hot and arcing or sparking parts inside. **DO NOT** use in areas where gasoline, paint, explosive and/or flammable liquids are used or stored. Keep unit away from heated surfaces and open flames.
- Avoid the use of an extension cord. However, if you have to use an extension cord, the cord should be 1.5mm² minimum size.
- To avoid fire or shock hazard, plug the unit directly into a 220-240V and 13A electrical socket outlet.
- To disconnect the heater, turn controls to **OFF**, then remove plug outlet. Pull firmly on the plug, **DO NOT** unplug by pulling on the cord.
- Always unplug the unit before moving or cleaning, or whenever the heater is not in use.
- Use intended for household and/or commercial locations. use as described in this manual. Any other use not recommended by the manufacturer may cause fire, electric shock, or injury to persons. The use of attachments not recommended or sold by unauthorized dealers may cause hazards.
- Always use on a dry, level surface.
- **DO NOT** attempt to repair or adjust any electrical or mechanical functions on this unit. Doing so will void your warranty. The inside of the unit contains no user serviceable parts. Qualified personnel should perform all servicing only.
- Connect to properly grounded outlets only.
- Check if the voltage indicated on the nameplate of the appliance corresponds to the local mains voltage before you connect the appliance.
- The casing and the front cover of the appliance become extremely hot during operation. Pay attention that, no combustible material due to wind or other environmental influences covers or obstructs the appliance, such as curtains, marquees, flags, plastic foil etc.
- In case of improper use, operation of the appliance must be discontinued and the mains plug must be removed from the socket immediately.
- **SAVE THESE INSTRUCTIONS**

Product Specification and Operation Instructions

WARNING

- The heater must be properly installed before it is used.
- Plug the patio heater into a grounded 220-240V 50-60Hz power outlet
 - Only operate the heater when it is in the upright position.
 - Our electric patio heater is equipped with three heat settings



Specifications	<input type="checkbox"/> 901735 <input type="checkbox"/> 901734 <input type="checkbox"/> 901622
Voltage (V)	220-240V ~
Power (W)	<input type="checkbox"/> 2000W for 901375, 901374, 901622 <input type="checkbox"/>
IP protection	IP65
Infrared receiving Angle	60°±5°
Bluetooth receiver distance	≤20M
The speaker power	3W×2

BLUETOOTH OPERATION

A free Bluetooth App is available to download for this heater for either your iPhone, iPad or Android device.

The 'Sunkare Heater' App will allow you to connect remotely to many heaters and control the speakers and lamp independently, from any Apple device. To download, search for 'Sunkare' in your App store and add to your device. The 'Mill Outdoor Heating' app will allow you to connect remotely to many heaters, from any Android device.

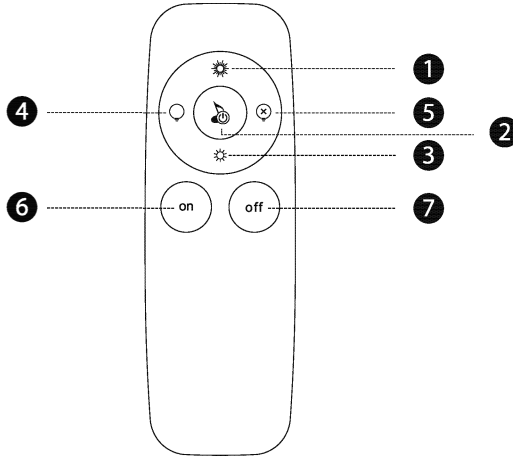
Bluetooth speakers connecting steps:

1. In standby position, short press the remote control button  , turn on the power of the bluetooth speakers, then long press this button in order to enter into bluetooth pairing mode.
2. Open the bluetooth function in your iPhone, iPad or Android device, find the "Liangdi Heater" in the device lists, then connecting.
3. Connecting successfully will have prompt tone, then you can play music by your iPhone, iPad or Android device.
4. Button  again, it will turn off the bluetooth speaker, the next time open the speaker will automatically connect your devices have paired.

RESET OPERATION

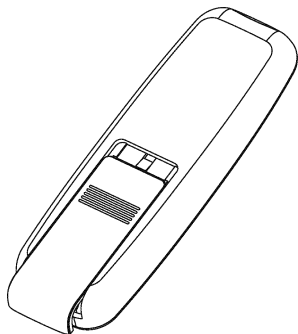
- Press the Reset button shortly, the power will be adjusted accordingly (Low, Middle, High, ON/OFF)
- Press the Rest button for at least 10 seconds ,the heater will restore factory settings.

Remote Control Instructions



Button	Feature
1 Up Arrow	Up one heating level
2 Turn on/off the speaker	Short press,turn on/off the speaker. Long press,enter into bluetooth pairing mode.
3 Down Arrow	Down one heating level
4 LED light on	Turn on the LED light
5 LED light off	Turn off the LED light
6 On	To switch the heater on: Press ON. The patio heater has a soft start function of 33% power. 4 seconds after the heater has been turned on, it will automatically switch to the last heating level used. In case of the first-time use, after 4seconds the heater will automatically switch to 100% power.
7 Off	To switch the heater off: Press OFF. The heater will switch to standby mode(the receiver indicator will light up).

Notice :



- Use 2 AAA batteries in the remote control.
- When the remote is not in use for a prolonged period of time, remove the batteries to ensure the lifespan of the control is extended.
- Please contact service agent for further help if needed.
- The remote control may not function correctly if there is an obstruction between the remote control and heater.
- Replacing the batteries duly so as not to affect the normal use of heater and remote control.

Operation Instruction

- Remove all package material (including any protective packaging around the lamp) and check the appliance, supply cord and the plug for signs of damage.
- Pay attention to the mounting place and all mounting material (dowels, screws). Ensure they are suitable and stable enough for mounting and lastingly holding of the appliance.
- Before mounting, the minimum safe mounting distances and tilt angles shown in the figures must be strictly followed.
- The distance between the bottom edge of the appliance and the floor must be at least 1.8 M. See figure 2.
- There must be a distance of at least 50cm between the appliance and the ceilings, roofs or other covers. See figure 2.
- There must be a distance of at least 0.5 M at each side between the appliance and walls or the like. See figure 2.
- Recommended degree to mounting surface is 45°. See figure 3.
- Fix the mounting bracket to the ceiling, wall or stand first. Ensure that the place to be installed is secure and firm. Then Fix the appliance to the bracket.
- Adjust the desired angle of the heater, fix all the screws in place and tighten. Regularly check the screw's connection. Mechanical bearing pressure and oscillation can occur during wind or rain, and therefore, could lead to a loose fixing.
- Plug in the power source and operate the remote control. Then observe, whether during the first 10-15 minutes the appliance works trouble-free.
- If you do not use, please remove battery socket.

Figure 1: Mounting bracket and anchor dowels provided. Connection from the wall to the infrared heater.

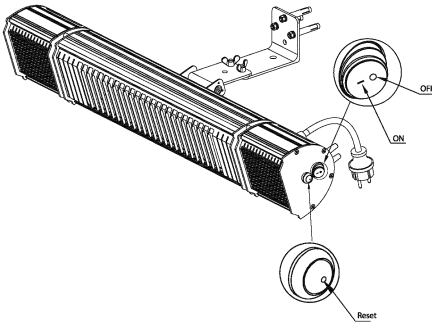


Figure 2: Min. distance to floor, ceiling and wall.

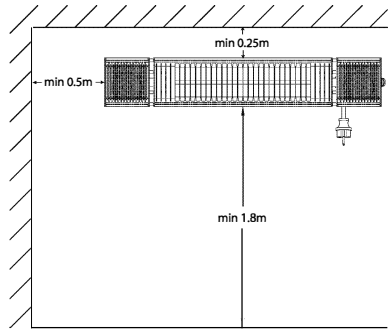


Figure 1: Tilt angle.

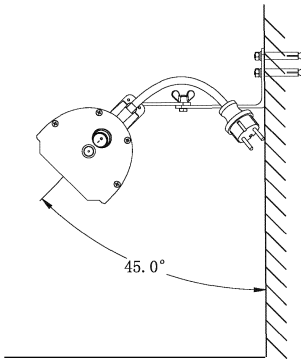
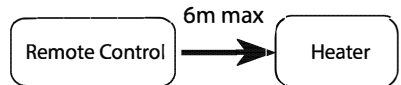


Figure 4: Max. remote distance.



Cleaning and Maintenance

- This appliance consists of a robust and maintenance-free aluminum casing with a protection cover. No user serviceable parts inside.
- Before cleaning, remove the plug from the power outlet and wait until the appliance is sufficiently cooled off.
- Wipe the appliance only with clean and lint-free cloth or a soft brush.
- DO NOT use detergent or cleaning fluids as they can cause damage to the heater and lamp coating.
- Never use abrasive cleaners, scrubbing brushes and chemical cleaners for cleaning. To protect against electrical shock and danger of life, do not immerse cord, plug, or any part of the appliance in water or other liquid.
- For heating element replacement, please contact the manufacturer or its service agent or a similarly qualified person. Or perhaps review our product FAQ'S on our website: <https://www.heat-outdoors.co.uk/help-desk/useful-articles/patio-heater-frequently-asked-questions.html>
- Any other service, please contact with the service agent or a suitably qualified electrician.

Storage

Do not wrap the electrical cord around the unit when in storage, or when the heater is not in use.

Disposal



This marking indicates that this product should not be disposed with other household wastes throughout the EU. To prevent possible harm to the environment or human health from uncontrolled waste disposal, recycle it responsibly to promote the sustainable reuse of material resources. To return your used device, please contact the retailer where the product was purchased. They can take this product for environmental safe recycling.

Customer Service

- Repairs must be carried out by authorized specialists, thus ensuring electrical safety.
- Please contact with the service agent or a suitably qualified electrician.
- Improper repairs could lead to danger to the user.
- This warranty does not cover damage of failure which results from alteration, accident, misuse, abuse, neglect, commercial use or improper maintenance.
- In line with our policy of continuous product development we reserve the right to change the product and documentation specifications without notice.

UNUSUAL CONDITIONS

Overheating

Heat lamps are design to operate within normal temperate ranges, and if mounted in 'dead' air where there is little or no air movement, they can overheat and fail.

Signs of lamp failure

- The loss of the gold coating, revealing the rust red undercoat on the lamp.
- Heater surface itself changing color.
- Very bright white spots appearing on the lamp when it is turned on.

Seaside / Coastal Locations

Salty air and water can be detrimental to the lifespan of any metal products designed to be used in an outdoor environment. Heaters installed in this type of environment often still require special maintenance to prevent the salt in the air drying onto the lamp or reflector. With the correct heater installed, simply using a low pressure hose pipe to wash away excess salt is enough to prevent most problems, followed by a regular wipe and drying procedure with a damp lint free cloth.

The frequency of this procedure needs to be assessed locally by the user as it is highly dependent upon the elevation to the sea, density of salty air and prevailing wind conditions, as well as humidity.

Lamp Guarantees

Due to the sensitivity of the lamps in operation we do not and cannot guarantee the longevity of any lamp. All lamps are tested prior to dispatch, and we encourage you to plug in your heater as soon as possible to ensure that it has arrived with you in good operational condition. Lamps are sensitive, and a dropped or lent on box will probably cause damage to the contents inside!

Once installed and during normal operation, the halogen lamps we use should provide you with 5000-7000 hours of happy use; however, before each use customers should take care to store the heater safely with adequate cover and protection or suitable cleaning before it is switched on.

Supplementary Information:

3-way Rocker Switch:




- Position I = Remote control setting
- Position O = Off / Standby
- Position II = Override Setting (will work on full power only; cannot adjust heat settings via remote control on this setting)



HEAT
outdoors

Should you have any queries or questions please feel free to contact our sales team:

 Info@heat-outdoors.co.uk

 01279466500

 www.heat-outdoors.co.uk

HEAT
outdoors

handydryers

STERILL 

Registered in London, United Kingdom No. 6301075. Registered Address: Lower Ground Floor, One George Yard, London, EC3V 9DF